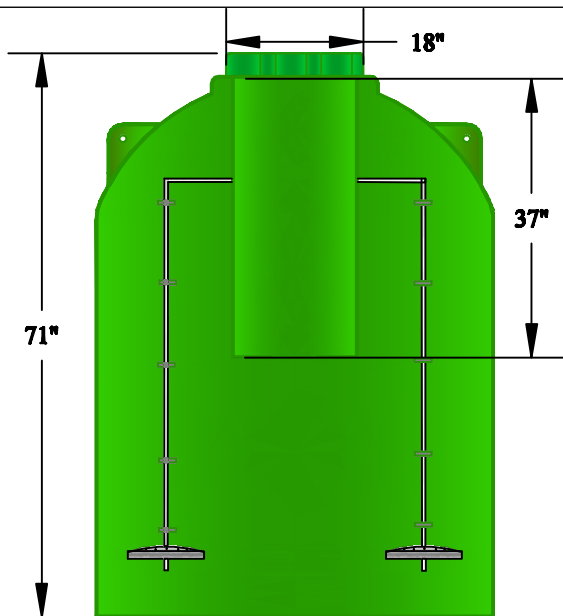
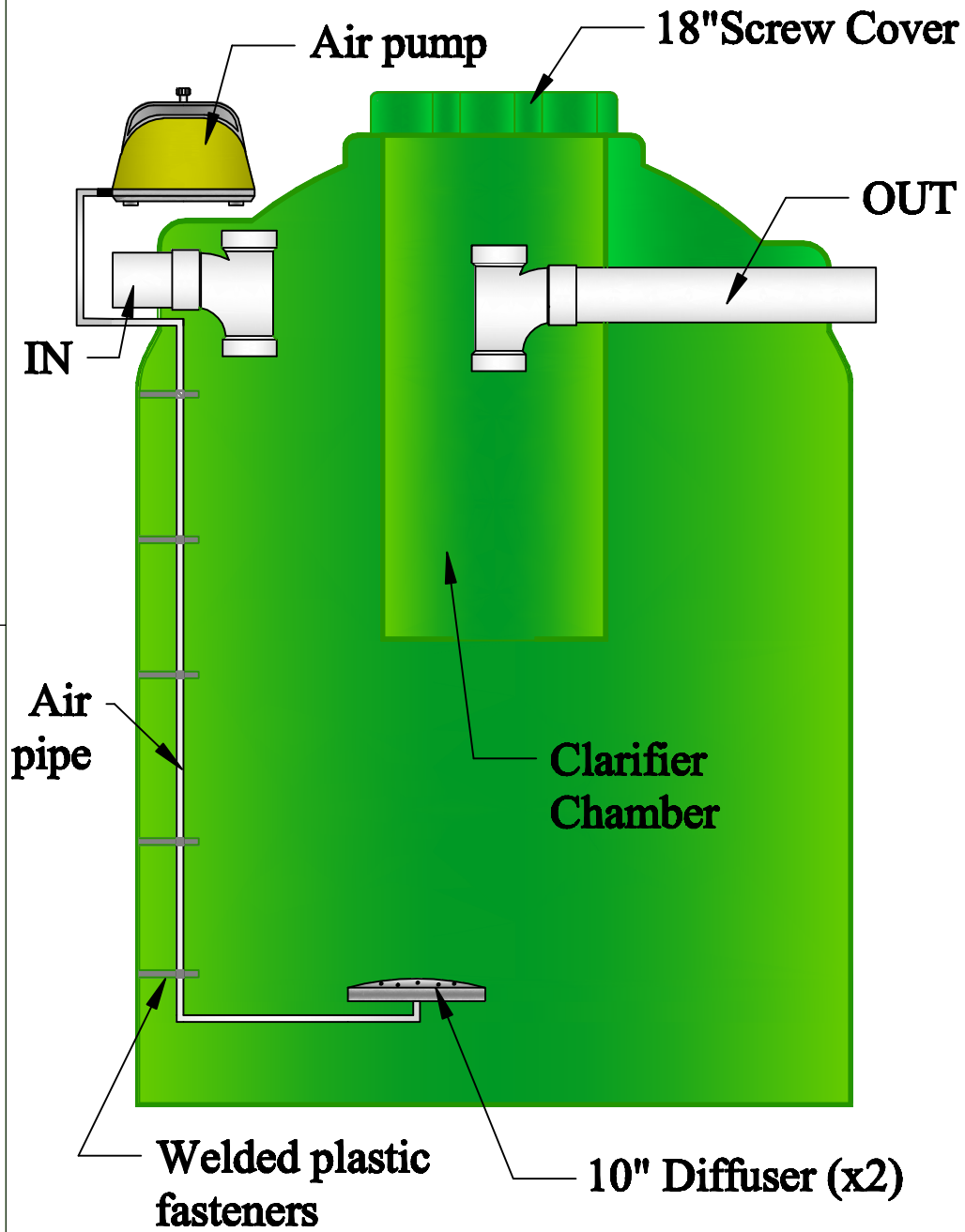


TOP C.S. VIEW



FRONT C.S. VIEW



GENERAL NOTES

1. Qty (2) -10" diffusers to be plumbed into larger chamber of tank.
2. Plastic fastening strips to be welded over diffuser assembly piping to the tank wall.
3. 1/2" pvc pipe to be used for diffuser air lines.
4. Air Pump Sizes -
DB60 - 5 Persons
DB80 -10 Persons

Project:
500 GALLON ATU - ROTOTECH

Drawing Title:
CROSS SECTIONAL VIEWS

Designed By:
T. LALCHAND

Scale:
SCALE TO FIT

Date:
02 NOV. 2009

Drawing No.
C-S 1